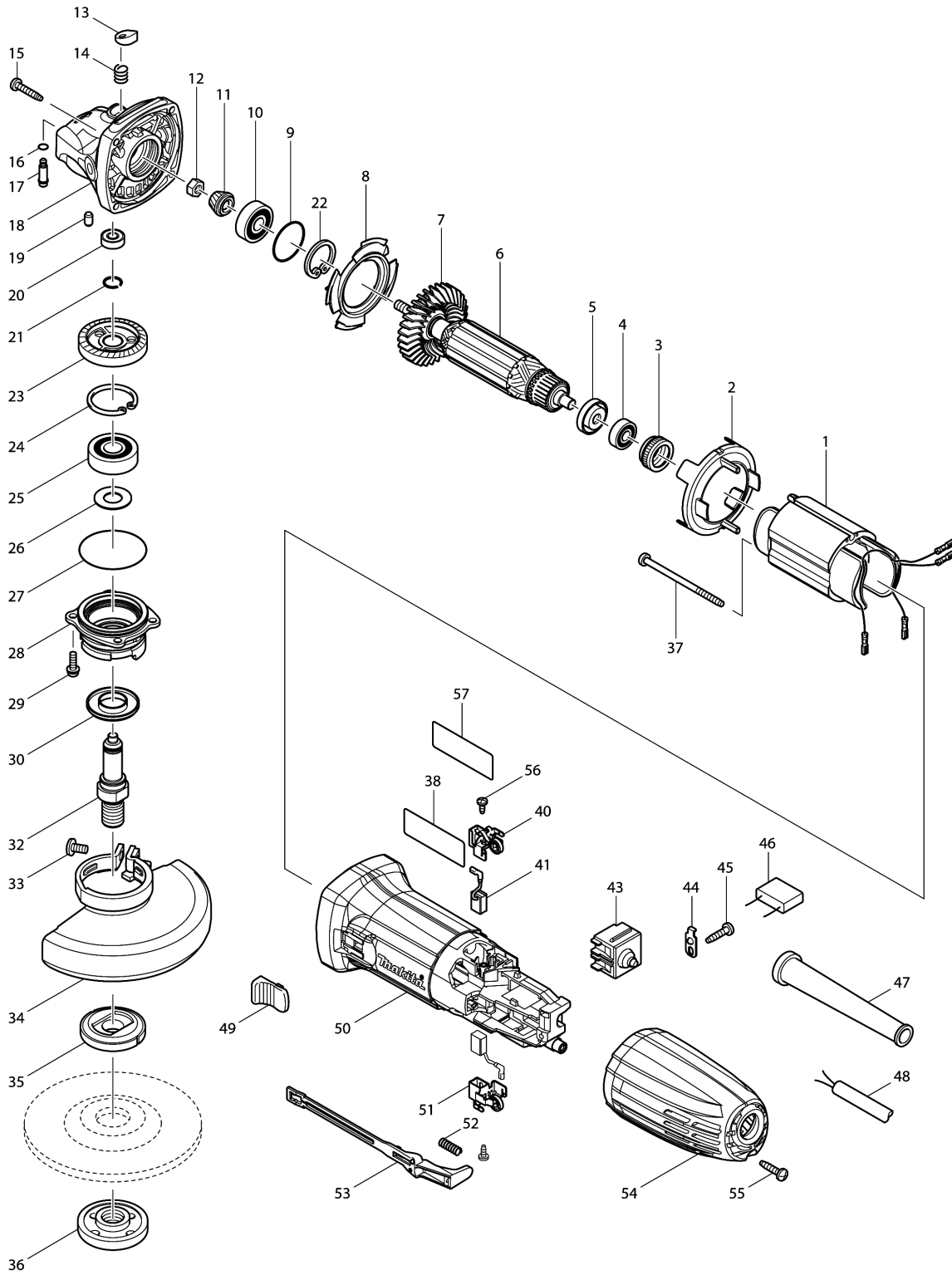


Model No.GA4530 115MM ANGLE GRINDER



Model No.GA4530 115MM ANGLE GRINDER

Item	Parts No.	Description	I/C	Qty	New/Old	Opt. 1	Opt. 2	Note
001	623533-4	FIELD 220-240V		1	*			
001-1	635113-4	FIELD 220-240V	O	1				
002	450796-7	BAFFLE PLATE		1				
003	421868-5	LABYRINTH RUBBER RING 19		1				
004	210034-7	BALL BEARING 607LLB		1				
005	681636-0	INSULATION WASHER		1				
006	517649-4	ARMATURE ASS'Y 240V		1				
D10		INC. 4,5,7						
007	240107-2	FAN 56		1	*			
007-1	240139-9	FAN 56	O	1				
008	413126-3	GUIDE PLATE		1				
009	213445-5	O-RING 26		1	*			
009-1	213407-3	O RING 26	O	1				
010	211092-6	BALL BEARING 629DDW		1				
011	227545-5	SPIRAL BEVEL GEAR 10		1				
012	252186-8	HEX. NUT M6		1				
013	417771-6	PIN CAP		1				
014	234057-1	COMPRESSION SPRING 8		1				
015	266324-6	TAPPING SCREW 4X22		4	*			
015-1	265B46-7	TAPPING SCREW 4X22	O	4				
016	213960-9	O RING 5		1	*			
016-1	213032-0	O RING 4	<	1				
017	256510-7	SHOULDER PIN 4		1				
018	318335-8	GEAR HOUSING		1				
019	263002-9	RUBBER PIN 4		1				
020	210033-9	BALL BEARING 696ZZ		1				
021	233950-6	RING SPRING 11		1				
022	962105-3	RETAINING RING R-26		1				
023	227546-3	SPIRAL BEVEL GEAR 37		1				
024	962151-6	RETAINING RING R-32		1				
025	211129-9	BALL BEARING 6201DDW		1				
026	267113-2	FLAT WASHER 12		1				
027	213561-3	O RING 42		1				
028	318336-6	BEARING BOX		1				
029	265099-4	PAN HEAD SCREW M4X14		4				
030	345464-4	LABYRINTH RING		1				
032	324954-0	SPINDLE		1				
033	265180-1	PAN HEAD SCREW M5X16		1				
034	135245-2	WHEEL COVER 115K ASS'Y		1	*			
D10		INC. 33			*			
034-1	122886-3	WHEEL COVER 115K ASSEMBLY	<	1	*			
C10	213009-5	O RING 4		1	*			

Please order the parts with part number.

Print Date 30/3/2020

Model No.GA4530 115MM ANGLE GRINDER

Item	Parts No.	Description	I/C	Qty	New/Old	Opt. 1	Opt. 2	Note
D10		INC. 33			*			
034-2	123098-1	WHEEL COVER 115AK ASS'Y	<	1				
C10	213009-5	O RING 4		1				
D10		INC. 33						
035	224415-9	INNER FLANGE 42		1				
036	224554-5	LOCK NUT 14-45		1				
037	266325-4	TAPPING SCREW 4X70		2				
038	866050-3	GA4530 NAME PLATE		1				
040	643839-4	BRUSH HOLDER 6X9		1				
041	194722-3	CARBON BRUSH CB-459		1				
043	650560-8	SWITCH DPX-2110-R		1				
044	687681-3	STRAIN RELIEF		1				
045	266326-2	TAPPING SCREW 4X18		1				
046	645200-1	NOISE SUPPRESSOR		1	*			
046-1	638739-1	CAPACITOR UNIT	S	1				
047	682559-5	CORD GUARD 8		1				
048	665394-6	POWER SUPPLY CORD 1.0-2-2.5		1				
049	419566-3	SWITCH KNOB		1				
050	450795-9	MOTOR HOUSING		1	*			
050-1	451128-1	MOTOR HOUSING	<	1				
051	643839-4	BRUSH HOLDER 6X9		1				
052	233121-5	COMPRESSION SPRING 4		1				
053	450797-5	SWITCH LEVER		1				
054	450794-1	REAR COVER		1	*			
054-1	456381-4	REAR COVER	O	1				
055	266326-2	TAPPING SCREW 4X18		1				
056	265954-0	TAPPING SCREW BIND PT3X8		2	*			
056-1	266492-5	TAPPING SCREW 3X8	O	2				
057	819327-5	CLEAR LABEL		1	*			
057-1	891976-0	CLEAR LABEL		1	*			
057-2	806E99-1	CLEAR LABEL	O	1	*			
A01	153504-2	GRIP 36 COMPLETE		1	*			
A01-1	153489-2	GRIP 36 COMPLETE	O	1				
A02	782423-1	LOCK NUT WRENCH 35		1				
A04	A-80640	DEPRESSED CENTER WHEEL 115X36		1	*			
A04-1	A-80927	GRINDING WHEEL 115X6X22(A36P)	O	1				
E01	808153-7	SAFETY INSTRUCTION LABEL		1				

Please order the parts with part number.

Print Date 30/3/2020